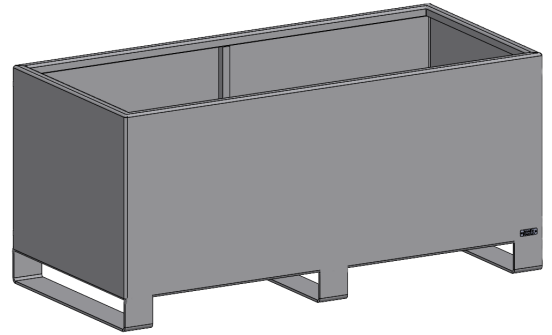
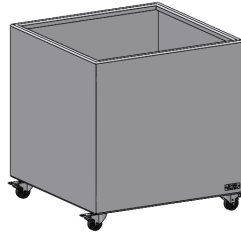
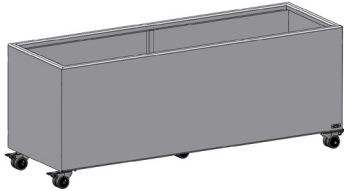
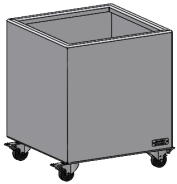


Jennifer Newman | **Box planter** indoor/outdoor use

400w x 400d x 470h mm

Weight 8 kg



1200w x 400d x 470h mm

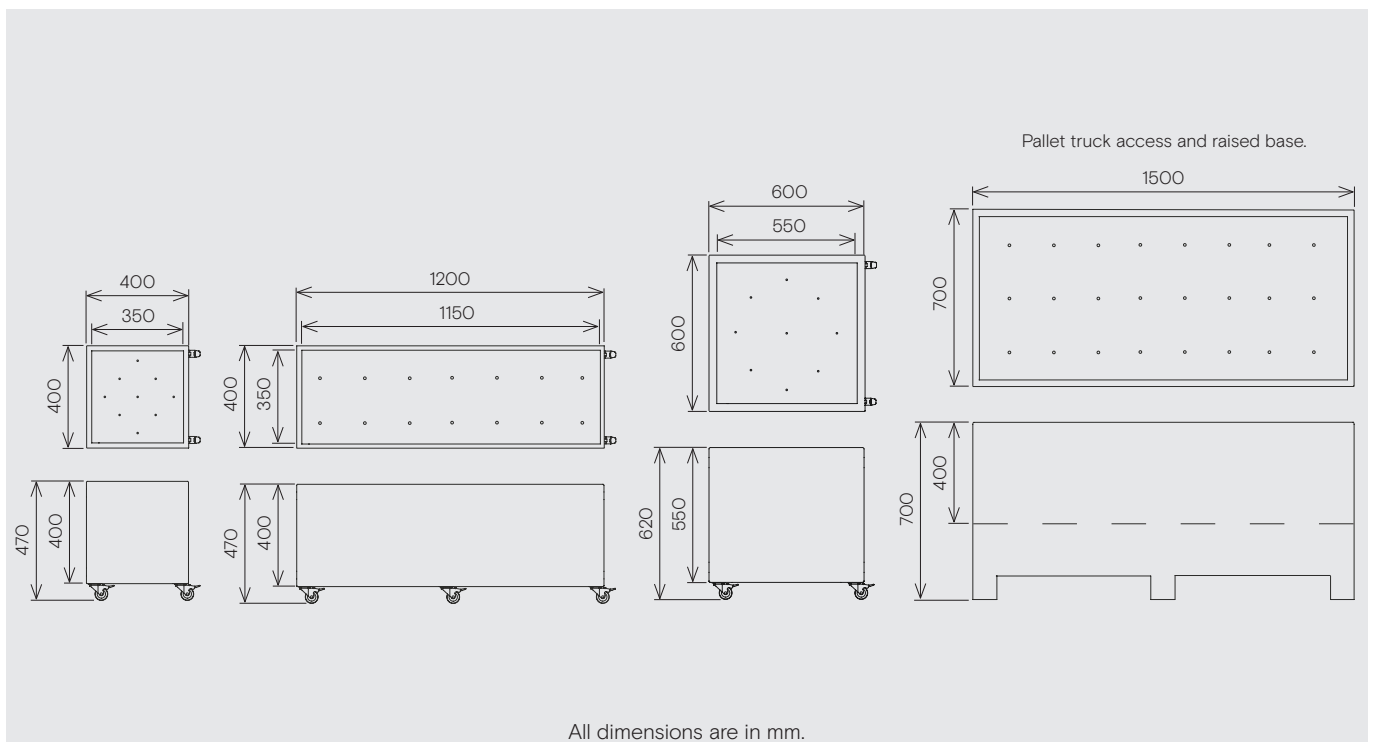
Weight 20 kg

600w x 600d x 620h mm

Weight 15 kg

1500w x 700d x 700h mm

Weight 60 kg



Fine texture powder-coat finish providing:

- Aluminium for long-life, will not rust.
- Anti-bacterial and Volatile-Organic-Compound free.
- Minimal maintenance, easily cleaned.
- Lockable castors, or pallet truck access.

Other benefits and features:

- Easy to move.
- Drainage holes as standard.
- Liners for indoor use **not** provided.
- 13 standard colours, others on request (see separate reference sheet).